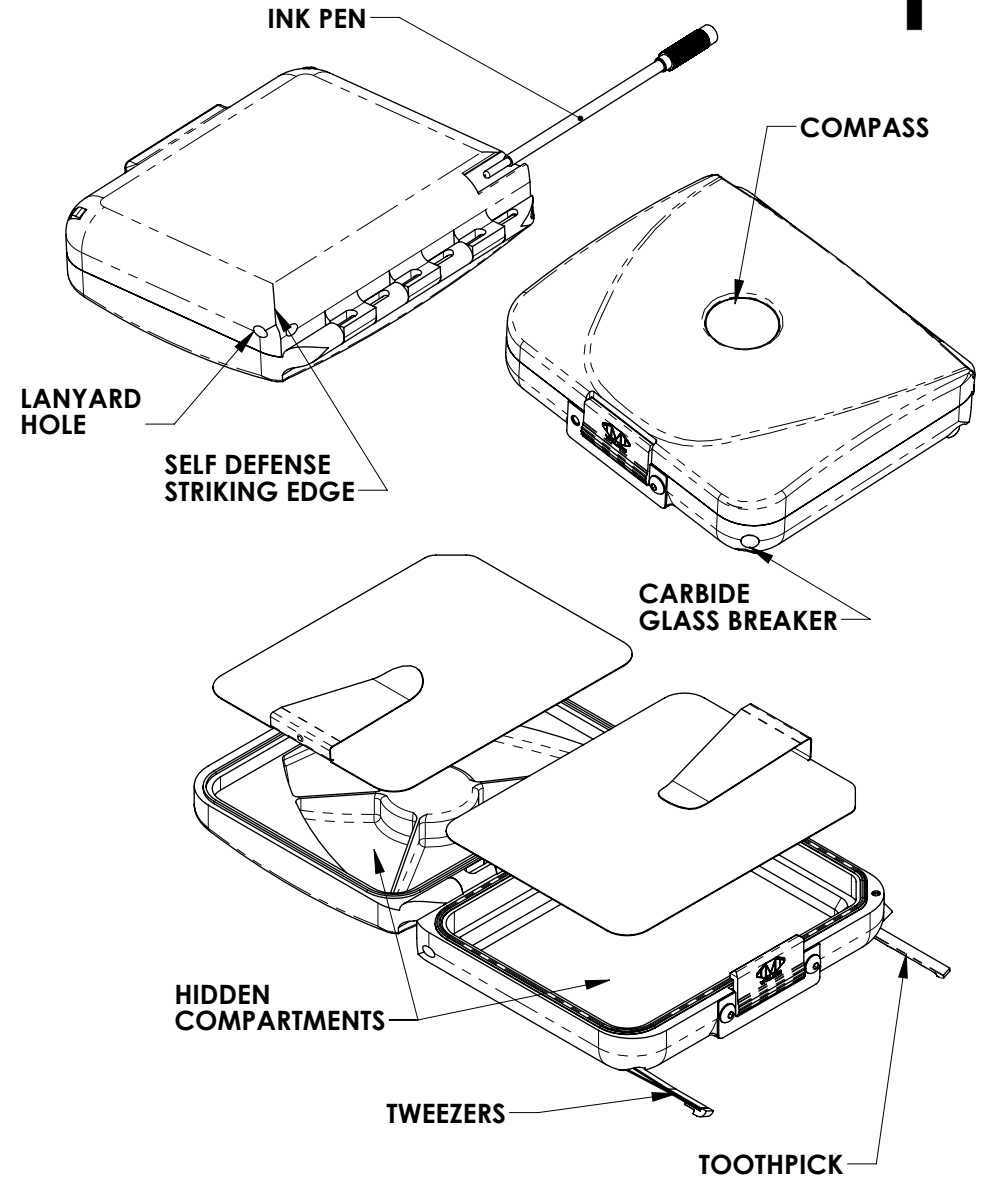


ITEM NO.	PART NO	DESCRIPTION	QTY
1	17031-01	WALLET BOTTOM, SPORT	1
2	17031-02	WALLET BOTTOM, TACTICAL	1
3	17031-03	WALLET TOP, SPORT	1
4	17031-04	WALLET TOP, TACTICAL	1
5	17031-05	LATCH COVER	1
6	17031-06	MONEY CLIP, BOTTOM	1
7	17031-07	MONEY CLIP, TOP	1
8	17031-08	LATCH ASSY	1
9	17031-09	GLASS BREAKER	1
10	17031-10	HINGE PIN	1
11	17031-11	PEN	1
12	17031-12	TOOTHPICK	1
13	17031-13	TWEEZERS	1
14	17031-14	COMPASS	1
15	17031-15	SEAL	1
16	17031-16	LATCH SPRING	2
17	17031-17	LATCH COVER SCREW	2
18	17031-18	SET SCREW	1



Limited Warranty

Your TMT Wallet is guaranteed for a period of one year from the date of original purchase against defects in materials and workmanship by TMT. TMT's only obligation shall be to replace product proved to be defective, and shall not be liable for any loss, damage or injury, direct, incidental or consequential, arising from use of the product.

If the product develops such defect within this period, it will be repaired or replaced at the option of TMT provided it is returned with proof of purchase receipt, and a check or money order in the amount of \$8.00 to cover cost of postage and handling. No additional charge will be made unless the one year warranty has expired or servicing is necessary for reasons beyond manufacturer's control, such as misuse, neglect, or abuse. In that case, a fair and moderate additional charge may be made.

The above remedy is exclusive. This warranty is void if the product has been tampered with or mistreated, or if the defect is related to servicing not performed by TMT.

This warranty gives you specific legal rights and you may also have other rights which vary from state to state. Some states do not allow limitations on how long an implied warranty lasts, or the exclusion or limitation of incidental or consequential damages, so the above limitations and exclusions may not apply to you. In the event of a problem with warranty service or performance, you may be able to go to Small Claims Court, a State Court, or a Federal District Court.